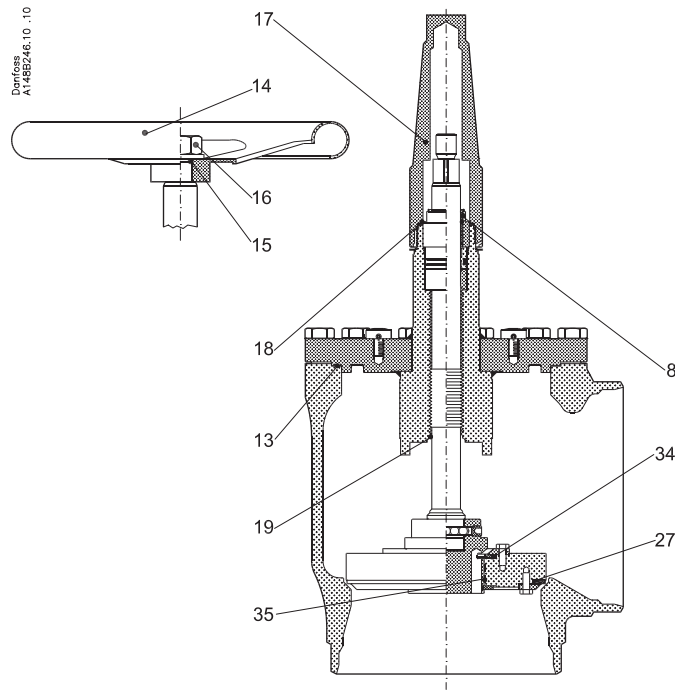


Data sheet

Spare parts and accessories
Shut-off valve
Type SVA-DL 250-300 (10-12 in.)



Description	Pos. #	Qty.	Size	Code no.
Spare part kit, for bonnet and cap				
Gasket for bonnet	13	1	DN 250 (10 in.)	148B4162
Cap + gasket	18	1	DN 250 (10 in.)	
Gasket for backseat	19	1	DN 250 (10 in.)	
Gasket for bonnet	13	1	DN 300 (12 in.)	148B4163
Cap + gasket	18	1	DN 300 (12 in.)	
Gasket for backseat	19	1	DN 300 (12 in.)	
Spare part kit for cone				
Gasket for Bonnet	13	1	DN 250 (10 in.)	148B4173
Gasket for cone (valve seat)	27	1	DN 250 (10 in.)	
Gasket for cone (insert)	34	1	DN 250 (10 in.)	
Wear ring for cone (insert)	35	1	DN 250 (10 in.)	148B4174
Gasket for Bonnet	13	1	DN 300 (12 in.)	
Gasket for cone (valve seat)	27	1	DN 300 (12 in.)	
Gasket for cone (insert)	34	1	DN 300 (12 in.)	
Wear ring for cone (insert)	35	1	DN 300 (12 in.)	
Packing gland (complete)				
Packing gland complete	8	1	DN 250 (10 in.)	148B4166
Packing gland complete	8	1	DN 300 (10 in.)	
Complete repair kit				
Packing gland complete	8	1	DN 250 (10 in.)	148B4175
Gasket for bonnet	13	1	DN 250 (10 in.)	
Cap + gasket	18	1	DN 250 (10 in.)	
Gasket for backseat	19	1	DN 250 (10 in.)	
Gasket for cone (valve seat)	27	1	DN 250 (10 in.)	
Gasket for cone (insert)	34	1	DN 250 (10 in.)	
Wear ring for cone (insert)	35	1	DN 250 (10 in.)	

Description	Pos. #	Qty.	Size	Code no.
Complete repair kit				
Packing gland complete	8	1	DN 300 (12 in.)	148B4176
Gasket for bonnet	13	1	DN 300 (12 in.)	
Cap + gasket	18	1	DN 300 (12 in.)	
Gasket for backseat	19	1	DN 300 (12 in.)	
Gasket for cone (valve seat)	27	1	DN 300 (12 in.)	
Gasket for cone (insert)	34	1	DN 300 (12 in.)	
Wear ring for cone (insert)	35	1	DN 300 (12 in.)	
Handwheel incl. nut and washer				
Handwheel	14	1	DN 250 (10 in.)	148B4169
Washer	15	1	DN 250 (10 in.)	
Nut	16	1	DN 250 (10 in.)	
Handwheel	15	1	DN 300 (12 in.)	148B4170
Washer	15	1	DN 300 (12 in.)	
Nut	16	1	DN 300 (12 in.)	
Cap incl. Gasket				
Cap	17	1	DN 250 (10 in.)	148B4171
Gasket	18	1	DN 250 (10 in.)	
Cap	17	1	DN 300 (12 in.)	
Gasket	18	1	DN 300 (12 in.)	
Grease for packing gland (tube)				
Grease for packing gland (tube)	-	1	DN 250 (10 in.)	148H3445
Grease for packing gland (tube)	-	1	DN 300 (12 in.)	

Danfoss A/S

Climate Solutions • danfoss.com • +45 7488 2222

Any information, including, but not limited to information on selection of product, its application or use, product design, weight, dimensions, capacity or any other technical data in product manuals, catalogues descriptions, advertisements, etc. and whether made available in writing, orally, electronically, online or via download, shall be considered informative, and is only binding if and to the extent, explicit reference is made in a quotation or order confirmation. Danfoss cannot accept any responsibility for possible errors in catalogues, brochures, videos and other material. Danfoss reserves the right to alter its products without notice. This also applies to products ordered but not delivered provided that such alterations can be made without changes to form, fit or function of the product.

All trademarks in this material are property of Danfoss A/S or Danfoss group companies. Danfoss and the Danfoss logo are trademarks of Danfoss A/S. All rights reserved.