

# Bock HGX12P/75-4 S

Engine: 220-240V D /380-420V S -3-50HZ

Refrigerant: R404A

GEA Bock Compressors

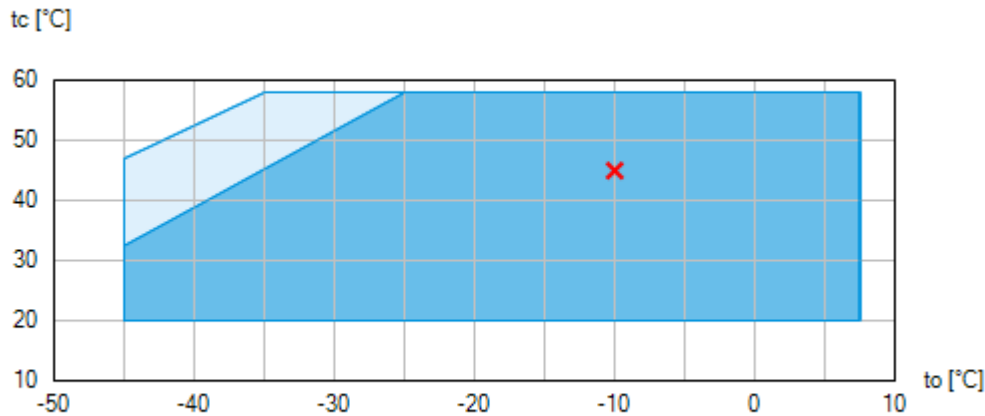


## Subject:

### Performance data

Frequency	50 Hz	Compressor refrigeration capacity	3.23 kW
Evaporation temperature	-10.0 °C	Evaporator refrigeration capacity	3.23 kW
Condensing temperature	45.0 °C	Power consumption	1.70 kW
Condensing pressure	20.5 bar	Current draw	3.36 A
Subcooling	0 K	Coefficient of performance (COP)	1.89
Suction temperature	20 °C	Total heat of rejection	4.93 kW
Usable superheat	100%	Mass flow	0.027 kg/s
Max. EFC(e)-Frequency	70 Hz	Discharge end temperature	100.9 °C

### Operating limits



- Unlimited application range
- Supplementary cooling or reduced suction gas temperature \*

Compressor operation is possible within the limits shown on the diagrams of application. Please note the coloured areas. Compressor application limits should not be chosen for design purposes or continuous operation. Restrictions to the operating limits may occur when using the Bock EFC (Electronic-Frequency-Control).

Subject to change

8/1/2022  
Page 1 of 7

# Bock HGX12P/75-4 S

Engine: 220-240V D /380-420V S -3-50HZ

Refrigerant: R404A

GEA Bock Compressors



**Subject:**

---

## Performance data table

Frequency: 50 Hz

Suction temperature: 20 °C

Subcooling: 0 K

tc [°C]		to [°C]									
			10	5	0	-5	-10	-15	-20	-25	-30
30	Q [W]			7,500	6,290	5,210	4,270	3,450	2,740	2,140	1,640
	P [kW]			1.54	1.55	1.52	1.46	1.37	1.27	1.15	1.02
	I [A]			3.16	3.17	3.14	3.07	2.98	2.86	2.75	2.63
35	Q [W]			6,930	5,800	4,800	3,920	3,160	2,500	1,950	1,480
	P [kW]			1.72	1.69	1.64	1.55	1.44	1.32	1.18	1.04
	I [A]			3.38	3.35	3.28	3.18	3.05	2.92	2.78	2.65
40	Q [W]			6,360	5,310	4,380	3,570	2,870	2,270	1,760	1,330
	P [kW]			1.89	1.83	1.74	1.63	1.50	1.36	1.21	1.06
	I [A]			3.60	3.52	3.41	3.27	3.12	2.96	2.81	2.66
45	Q [W]			5,800	4,830	3,970	3,230	2,590	2,040	1,570	1,190
	P [kW]			2.03	1.95	1.83	1.70	1.55	1.39	1.23	1.07
	I [A]			3.80	3.68	3.53	3.36	3.18	3.00	2.83	2.67
50	Q [W]			5,240	4,350	3,570	2,890	2,310	1,810	1,390	1,050
	P [kW]			2.16	2.05	1.91	1.75	1.59	1.41	1.24	1.07
	I [A]			3.98	3.82	3.63	3.43	3.22	3.02	2.84	2.67
55	Q [W]			4,690	3,880	3,170	2,560	2,040	1,590	1,220	904
	P [kW]			2.27	2.13	1.97	1.79	1.61	1.42	1.24	1.06
	I [A]			4.13	3.93	3.70	3.47	3.24	3.03	2.83	2.67

Subject to change

---

8/1/2022  
Page 2 of 7

## **Bock HGX12P/75-4 S**

Engine: 220-240V D / 380-420V S -3-50HZ

Refrigerant: R404A

GEA Bock Compressors



### **Subject:**

---

### **Scope of supply**

Semi-hermetic reciprocating compressor with drive motor for direct start

220-240 V D / 380-420 V Y - 3 - 50 Hz

265-290 V D / 440-480 V Y - 3 - 60 Hz

Single-section compressor housing with hermetically integrated electric motor

Winding protection with PTC resistor sensors and electronic triggering unit Bock MP 10

Possibility of connection of oil level controllers ESK, AC+R or CARLY

Oil charge: HG: FUCHS Reniso SP 46 HGX: FUCHS Reniso Triton SE 55

Sight glass

Suction and discharge line valve

Inert gas charge

4 anti-vibration pads enclosed

### **Accessories**

Progressively adjustable speed control by means of a Bock EFC (Electronic Frequency Control), compactly built onto compressor and connected ready-to-operate

HA/HG12P: IP65

HA/HG22P, HA/HG34P: IP54

Bock ESP (Electronic Single Phase) Phase converter from single to three phase AC for installation in switch cabinet, IP20

Oil sump heater

110-240 V - 1 - 50/60 Hz, 50-120 W, IP65

PTC heater self-regulating

Thermal protection thermostat (PTC sensor) IP67

Additional fan 220-240 V - 1 - 50/60 Hz, 72/68 W, IP44 attached

Special voltage and/or frequency (on request)

---

Subject to change

8/1/2022  
Page 3 of 7

# Bock HGX12P/75-4 S

Engine: 220-240V D /380-420V S -3-50HZ

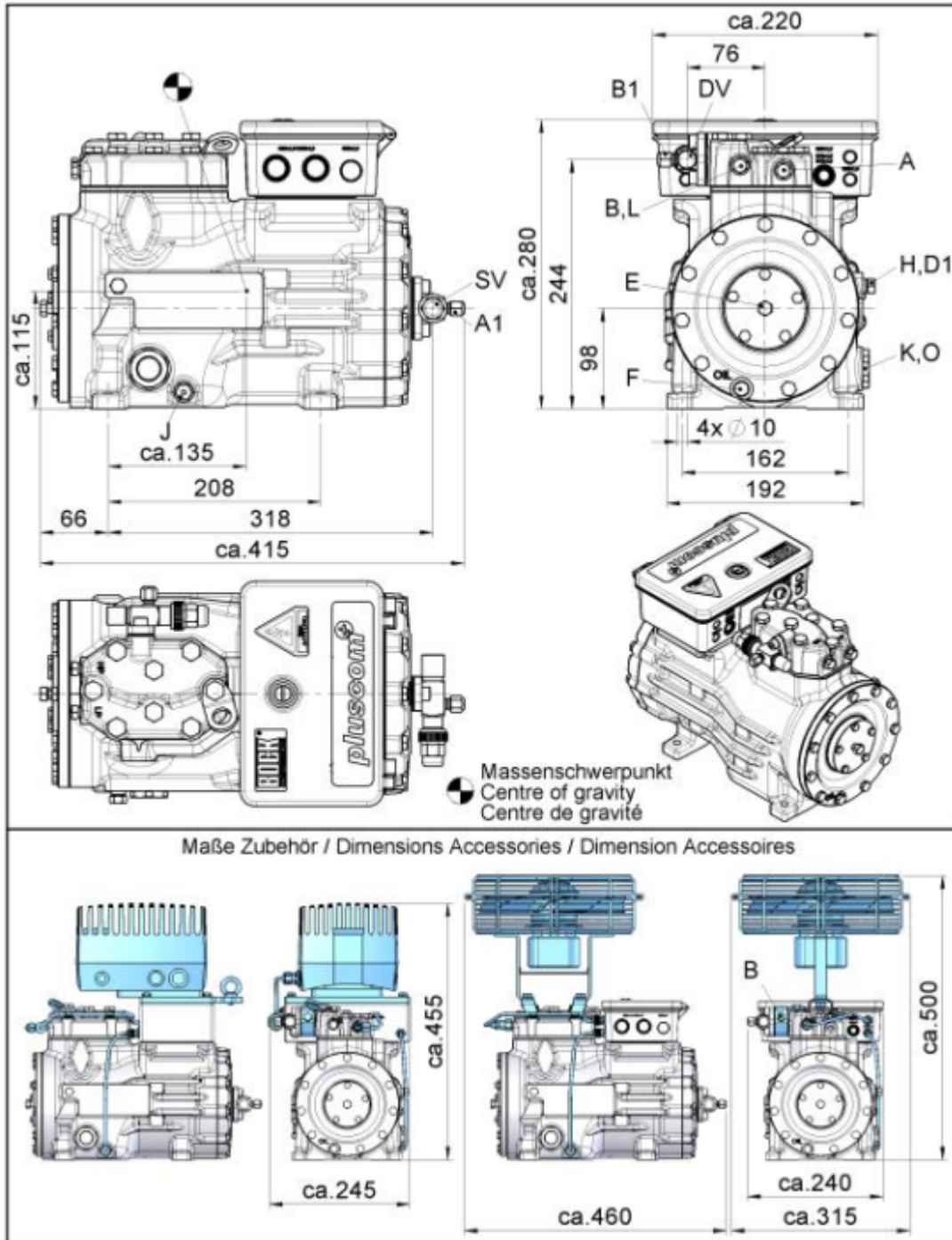
Refrigerant: R404A

GEA Bock Compressors



**Subject:**

## Dimensions and connections



SV	Suction line valve, tube $\varnothing 2$ )	16 mm - 5/8 "
DV	Discharge line valve, tube $\varnothing 2$ )	12 mm - 1/2 "

Subject to change

## Bock HGX12P/75-4 S

Engine: 220-240V D /380-420V S -3-50HZ

Refrigerant: R404A

GEA Bock Compressors



### Subject:

A	Connection suction side, not lockable	1/8 " NPTF
A1	Connection suction side, lockable	7/16 " UNF
B	Connection discharge side, not lockable	1/8 " NPTF
B1	Connection discharge side, lockable	7/16 " UNF
D1	Connection oil return from oil separator	1/4 " NPTF
E	Connection oil pressure gauge	1/8 " NPTF
F	Oil drain	M 8
H	Oil charge plug	1/4 " NPTF
J	Connection oil sump heater	Ø 15 mm
K	Sight glass	1 1/8 " - 18 UNEF
L	Connection thermal protection thermostat	1/8 " NPTF
O	Connection oil level regulator	1 1/8 " - 18 UNEF

Subject to change

8/1/2022  
Page 5 of 7

## Bock HGX12P/75-4 S

Engine: 220-240V D /380-420V S -3-50HZ

Refrigerant: R404A

**Subject:**

---

GEA Bock Compressors



### Product photo



---

Subject to change

8/1/2022  
Page 6 of 7

## **Bock HGX12P/75-4 S**

Engine: 220-240V D /380-420V S -3-50HZ

Refrigerant: R404A

GEA Bock Compressors



### **Subject:**

---

#### **Notes**

- 1) Only with additional adapter possible
- 2) Brazing connection

---

Subject to change

8/1/2022  
Page 7 of 7