

# AIR CURTAINS INSTALLATION MANUAL

FM-1209T/Y5G  
FM-1212T/Y5G  
FM-1215T/Y5G  
FM-1218T/Y5G  
FM-1220T/Y5G

*Distributed by:*

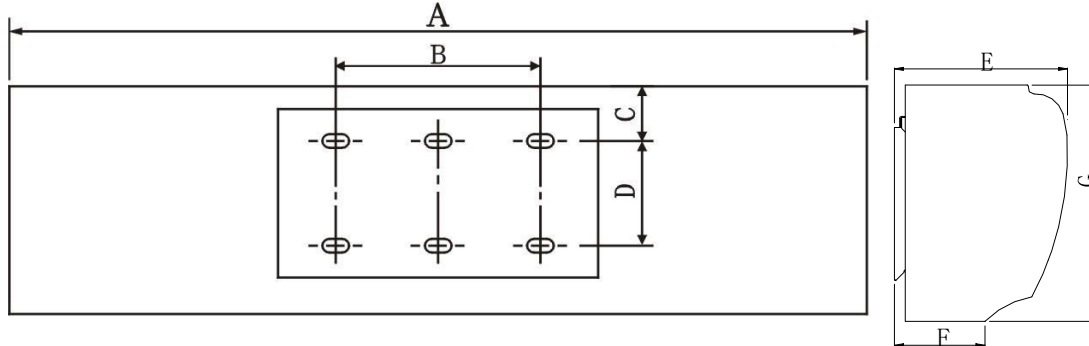


[www.metraclark.co.za](http://www.metraclark.co.za)

## 1. PRODUCT INTRODUCTION

The air curtain is a top-class product designed for modern decoration, often used in conjunction with air-conditioning systems. It is typically installed at entrances to various establishments such as supermarkets, theaters, meeting rooms, hotels, offices, workshops, and storerooms. Its purpose is to prevent the entry of dust, mosquitoes, harmful air, and other contaminants

## 2. IDENTIFICATION & INSTALLATION DIMENSIONS

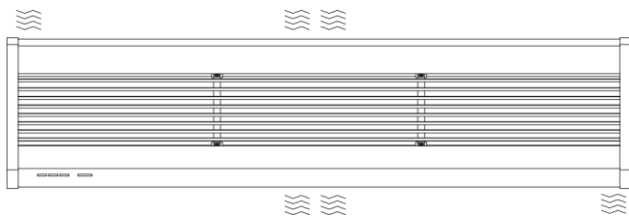


MODEL	A	B	C	D	E	F	G
FM-1209T/Y5G	900	440	42	90	190	105	225
FM-1212 T/Y5G	1200						
FM-1215 T/Y5G	1500	840					
FM-1218 T/Y5G	1800						
FM-1220T/Y5G	2000						

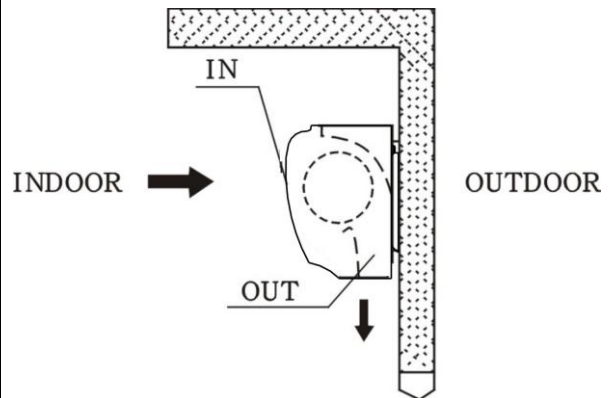
## 3. INSTALLATION CAUTION

The following instructions must be followed when installing the air curtain. :

3.1 Please ensure that the unit is installed in a sturdy location to prevent shaking and ensure its security. Installing it in an unstable location may cause the wall to become flexible, leading to shaking and noise.



3.2 Please install the unit inside the room.



Distributed by:

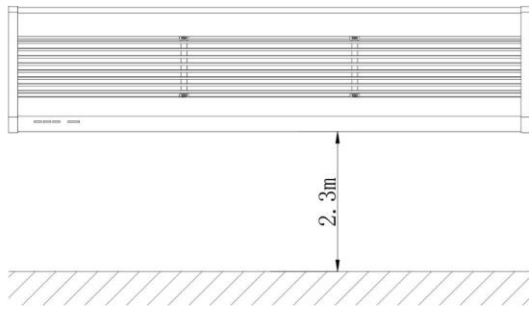


**METRA CLARK**

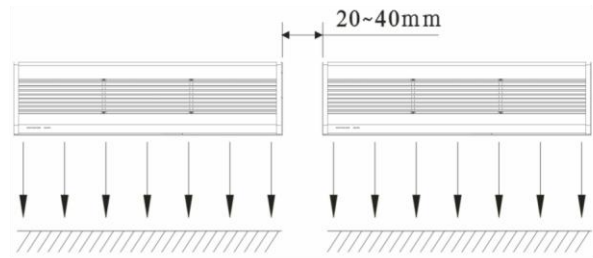
Refrigeration & Air-Conditioning Wholesale

[www.metraclark.co.za](http://www.metraclark.co.za)

3.3 Don't install the unit too low, no less than 2.3 meter from the ground.



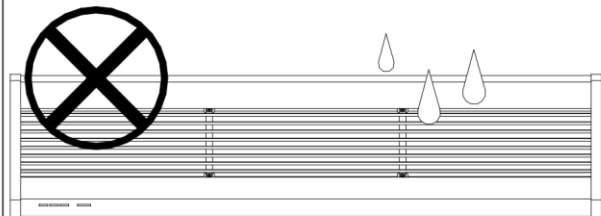
3.4 When the entrance is wider than the unit, it is recommended to install two or more units in parallel. In this case, provide 20-40mm gaps between the units.



3.5 Don't allow gaps between the unit and the wall. When hanging it from the ceiling, using the enclosed ceiling brackets.



3.6 Don't install the unit in a place where it is splashed by water, exposed to excessive steam, explosive gas or corrosive gas.

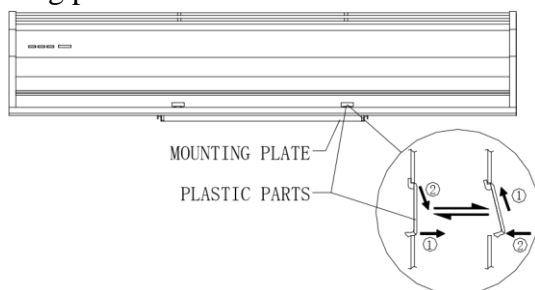


## 4. INSTALLATION

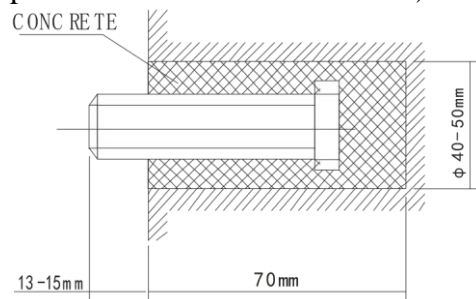
A. Installing on the concrete wall:

4.1.1 Removed the mounting plate

Remove the plastic parts, unclamping the fixed screws on the back of main body to remove the mounting plate.



4.1.2 Fix the bolts in the proper position (Decide the position with the mounting plate and pour cement into the bolt holes.)



Distributed by:

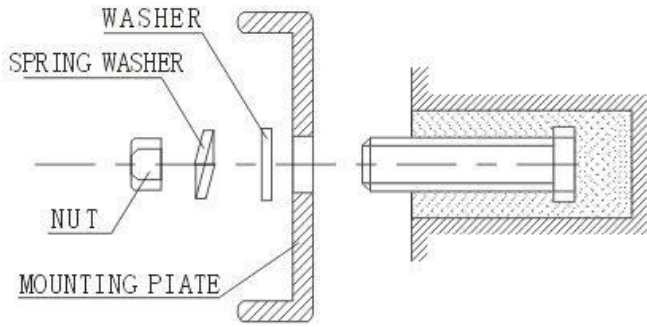


**METRA CLARK**

Refrigeration & Air-Conditioning Wholesale

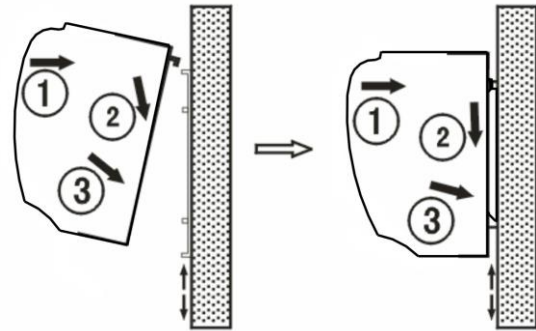
[www.metraclark.co.za](http://www.metraclark.co.za)

4.1.3 When the cement has set, fit the mounting plate (use the washer and nut according to the following)



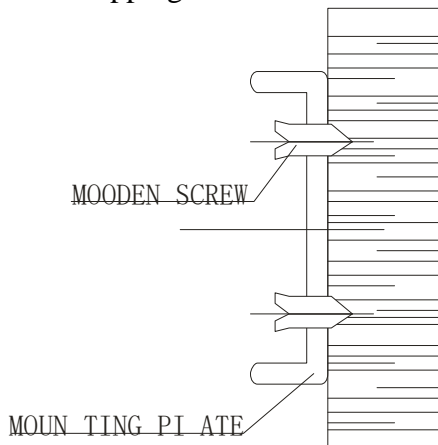
4.1.4 Install the main body

Set the main body onto the upper end of the mounting plate and clamp it as shown.

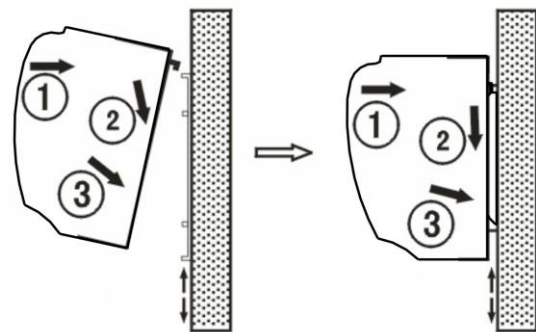


### B、 Installing on the wooden wall

4.2.1 Fix the mounting plate in the proper positions with tapping screw.

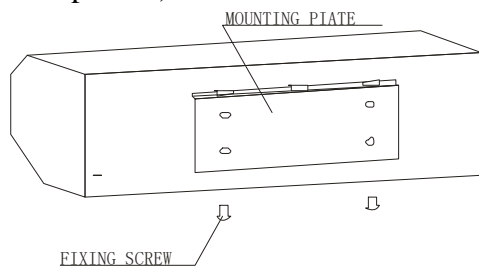


4.2.2 Same as the step 4 of A

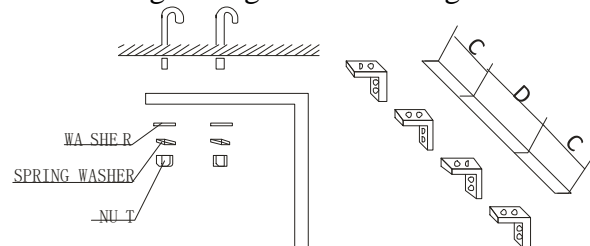


### C、 Hanging unit from the ceiling

4.3.1 Remove the mounting plate from main body (Same as step 4.1.1)



4.3.2 Fixing ceiling brackets as Fig.

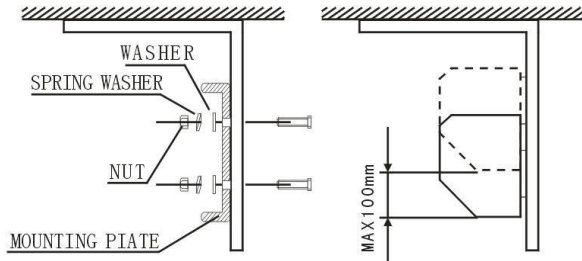


Distributed by:

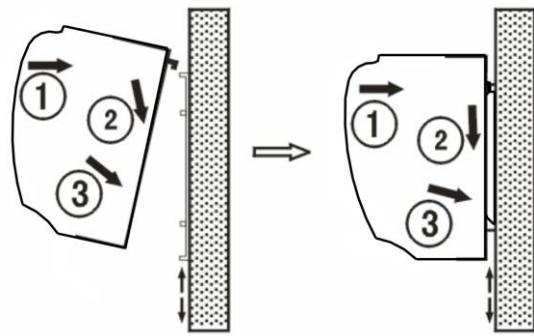
**METRA CLARK**  
Refrigeration & Air-Conditioning Wholesale

www.metraclark.co.za

4.3.3 Set the mounting plate on the ceiling brackets and ensure safe & fixing (use the bolts attached to the ceiling brackets as Fig. Using the ceiling brackets to hang from the ceiling, the position of mounting plate can be adjusted in the limit of 100mm.



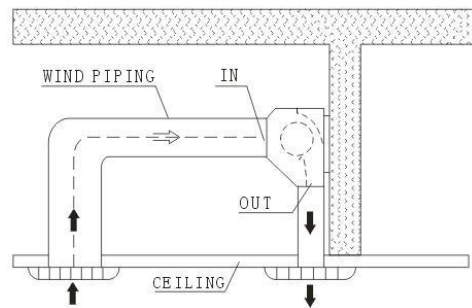
4.3.4 Do the same as step A to install the main body.



**D、 For above ceiling**

4.4.1 Fix the air curtain as in the procedure for installing on the concrete wall.

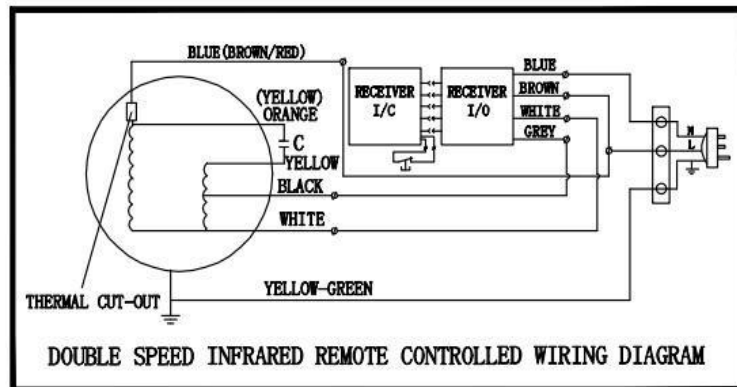
4.4.2 Then pipe as right Fig. Instructs.



**5、 TECHNICAL PARAMETER**

MODEL	Volt. (V~)	Freq (Hz)	Motor Power (W)		Max. air speed (m/s)		Air volume (m <sup>3</sup> /h)		Noise (dB)		Net weigh (Kg)
			H	L	H	L	H	L	H	L	
FM-1209T/Y5G	230	50	160	110	11	9	1400	1100	57	55	10
FM-1212T/Y5G			200	150			1900	1600	58	56	12.5
FM-1215T/Y5G			230	180			2500	2000	59	57	15
FM-1218T/Y5G			300	250			3200	2600	60	58	17.5
FM-1220T/Y5G			350	300			3600	2900	61	59	20

**6、 WIRING DIAGRAM**



Distributed by:



www.metraclark.co.za

## **7、 OPERATION**

7.1. Turn on the power switch.

7.2. Select the appropriate speed: High (H) or Low (L).

7.3. Adjust the direction of the airflow components according to the installation location to achieve optimal effectiveness.

7.4. The unit is equipped with a door sensor function, which includes a 2-second delay before turning off.

7.5. It features a power-off memory function. In case of sudden power loss, the air curtain will automatically restart at the same speed setting upon power restoration

### **CAUTIONS:**

a) Use the unit at the correct voltage and frequency as indicated on the nameplate.

b) Disconnect the power source before operating the unit.

c) Routine maintenance should be performed annually.

d) Avoid using petrol, benzene, thinner, or any other chemicals for cleaning the unit.

e) Ensure no water or foreign objects enter the motor.

f) When using a socket for power supply, ensure the plug complies with IEC335-1 standards. If the power cord is directly connected to a charging line, install all polarity switches with a contact gap of at least 3mm.

g) To prevent injury, only a professional worker or factory should handle any issues with the air curtain's electrical line

### **ATTENTIONS:**

These instructions must accompany the appliance to ensure safe usage.

Specific safety-related instructions should be compiled in the front section of the user manual.

These instructions should also be accessible in alternative formats, such as on a website.

This appliance is suitable for use by children aged 8 years and older, as well as individuals with reduced physical, sensory, or mental capabilities, provided they have received supervision or instruction on safe usage and understand the associated hazards.

Children should not play with the appliance, and cleaning or user maintenance tasks should not be performed by children without supervision.

If the supply cord is damaged, it must be replaced by the manufacturer, authorized service agent, or similarly qualified personnel to prevent hazards.