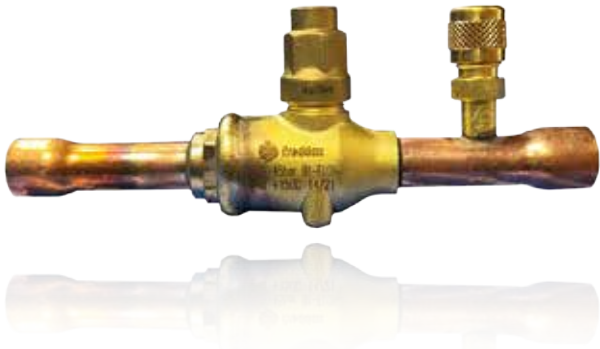


SHUT-OFF BALL VALVES

RBV-45



Freddox RBV ball valves are bi-directional, full bore and suitable for HFC/HFO applications. They can be used on liquid, suction and hot gas lines in refrigeration and air conditioning systems and can be fully opened or fully closed with only a ¼ turn of the valve stem.

Freddox RBV shut-off valves are available with or without an access fitting.

The full bore design guarantees a minimal pressure drop and they are equipped with a brass cap with perforation allowing sealing when necessary. Freddox shut-off valves are manufactured to industry leading tolerances and each valve is leak tested using a Helium Mass Spectrometer to ensure the valves perform as expected.

Features

Suitable for all HFC, HFO and HFC refrigerants and HFC/HFO mixtures

Hermetically welded (TIG) brass housing for leak free operation

Brass upper cover can be sealed to prevent unauthorised access

Chrome-plated brass valve with a stopper for free rotation up to 180°

The self-lubricating graphite PTFE gasket ensures a positive seal and ensures a long service life

Extended Copper connections for ease of soldering

A pressure equalisation orifice in the valve provides ease of operation by preventing pressure lock

Extended stem designed to prevent ejection is fitted with double O-rings

Universal mounting and fixing holes for bracket mounting

Maximum operating pressure : 45 bar

Operating temperature range : - 40 to + 150°C

Body material : Forged brass EN 12420, EN 12165, CW617N

Tube material : Copper EN 12735-1

Each product individually checked using helium to conform with CE and UL standards

Conformity to EN 12284, EN 378-2, directive 2014/68/EU (PED), RoHS3 2015/863/EU



TECHNICAL DATA

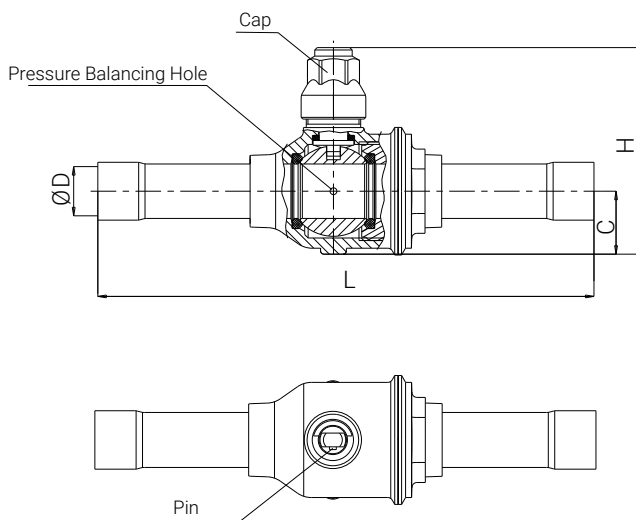
RBV-45 solder ODF/ODF

Ø (Inch)	BRIC CODE	Ø (mm)	BRIC CODE
1/4"	4401-601017672	6	4401-601017656
5/16"	4401-601017657	8	4401-601017657
3/8"	4401-601017673	10	4401-601017658
1/2"	4401-601017674	12	4401-601017659
-	-	15	4401-601017660
5/8"	4401-601017661	16	4401-601017661
3/4"	4401-601017675	18	4401-601017662
7/8"	4401-601017676	22	4401-601017663
1"1/8	4401-601017677	28	4401-601017664
1"3/8	4401-601017665	35	4401-601017665
1"5/8	4401-601017678	42	4401-601017666
2"1/8	4401-601017667	54	4401-601017667
2"5/8	4401-601017679	64	4401-601017668
2"5/8	4401-601017460	64	4401-601017448
3"1/8	4401-601017461	76	4401-601017208
3"5/8	4401-601017462	89	4401-601017450
4"1/8	4401-601017463	-	-

RBV-45-SV solder ODF/ODF - with access fitting

Ø (Inch)	BRIC CODE	Ø (mm)	BRIC CODE
1/4"	-	6	-
5/16"	-	8	-
3/8"	4401-601017698	10	4401-601017684
1/2"	4401-601017699	12	4401-601017685
-	-	15	4401-601017686
5/8"	4401-601017687	16	4401-601017687
3/4"	4401-601017700	18	4401-601017688
7/8"	4401-601017701	22	4401-601017689
1"1/8	4401-601017702	28	4401-601017690
1"3/8	4401-601017691	35	4401-601017691
1"5/8	4401-601017703	42	4401-601017692
2"1/8	4401-601017693	54	4401-601017693
2"5/8	4401-601017704	64	4401-601017694
2"5/8	-	64	-
3"1/8	4401-601017487	76	4401-601017354
3"5/8	4401-601017488	89	-
4"1/8	4401-601017489	-	-

Dimensions



Ø (Inch)	Ø (mm)	Kv (m³/h)	L (mm)	C (mm)	H (mm)	WEIGHT (g)
1/4"	6	1,6	126	13	49	159
5/16"	8	4,2	132	13	49	163
3/8"	10	5,3	132	13	49	168
1/2"	12	6,6	140	13	49	171
-	15	13	146	18,5	61	293
5/8"	16	13	146	18,5	61	295
3/4"	18	17	146	18,5	61	297
7/8"	22	26	185	21	72	710
1"1/8	28	41	205	26	78	760
1"3/8	35	86	208	32	92	1300
1"5/8	42	110	242	38,5	112	2300
2"1/8	54	208	273	48,5	130	3475
2"5/8	64	208	280	48,5	130	3600
2"5/8	64	237	378	60	177	6960
3"1/8	76	340	378	60	177	7780
3"5/8	89	480	423	76	210	12750
4"1/8	-	470	423	76	210	13920

Manufacturer reserves the right to change any product specifications without notice.. Ref. : 4401-601017-RBV-45_2207_EN