



# TOTALINE®

The new "Totaline Monobloc" is a complete easy-to-install, plug-in type refrigeration system.

Both medium and low temperature units are available

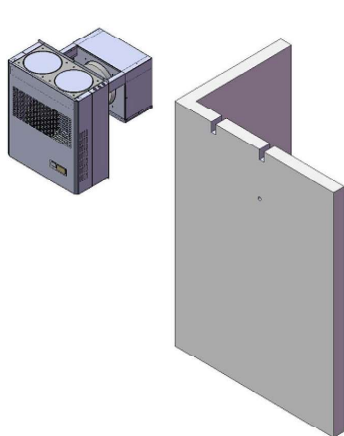
Designed to be widely used in small cold and freezer room applications.

Monobloc units feature branded products like: Tecumseh, Copeland, Danfoss and Dixell

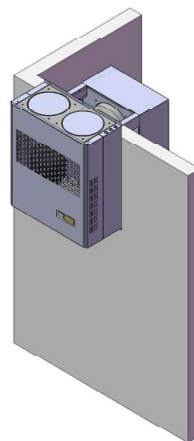


## Features

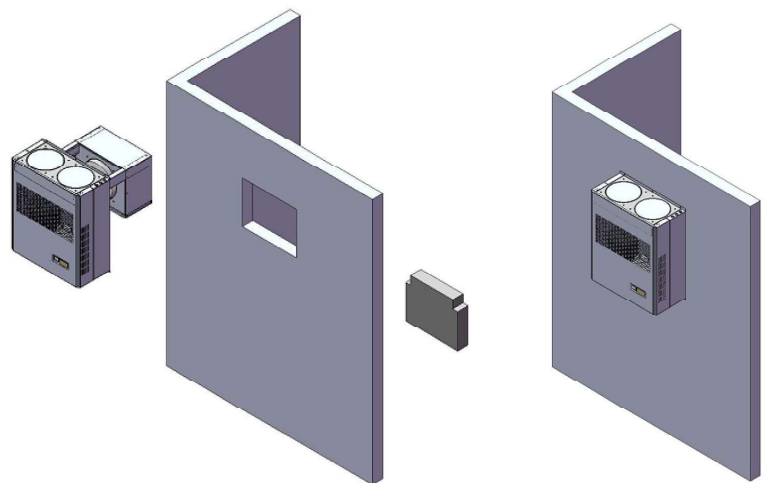
- Models available :
  - Medium temperature: 1.5HP, 2HP and 3Hp
  - Low temperature: 1.5HP and 2HP
- Single phase 220V-240V-1-50Hz
- Pre-charged with R404a refrigerant
- Dixell temperature and efficient defrost control
- Plug-in type for easy electrical installation
- Optimized designed to save installation and commissioning time
- "Straddle-wall" or "Through-wall" installation
- CE Certified by TUV, comply with European safety standards



**Straddle-wall**



**Through-wall**



# METRACLARK

Refrigeration & Air-Conditioning Wholesale



**Specifications**

Stock Code	Description	Compressor Model	Application	Refrigerant	Refrigerant Charge: (g)	Reference: HP	Nominal Capacity: (W)	Voltage / Frequency	Max operating Current: (A)
TOT5002	LY300DGM/H	ZB21KQE-PFJ	MBP	R507/R404a	1850	3	5600 @ 2°C Room Temp, 30°C Ambient	230-240V/1/50HZ	23

Start Current: (A)	Condenser Air Volume:	Condenser Fan Power: (W)	Condenser Fan Diameter: (mm)	Noise Level @1m: (db (A))	Dimensions: A, B, C, D, L (mm)	Dimensions for hole X, Y (mm)	Net Weight: (kg)	Room Temperature Design: 'C	Room Cool Volume: (M³)
85	3400	290	2*300	58	755, 355, 800, 646, 850	675, 405	100	2	40

Capacity/Input Power	Ambient Temp.	Cold Room Temp.				
		-10	-5	0	5	10
W	°C					
Capacity	20	4580	5392	6318	7306	8418
Input Power		2220	2220	2210	2210	2200
Capacity	30	4052	4800	5583	6369	7387
Input Power		2690	2690	2680	2670	2660
Capacity	40	3457	4069	4800	5528	6386
Input Power		3280	3280	3270	3260	3240

